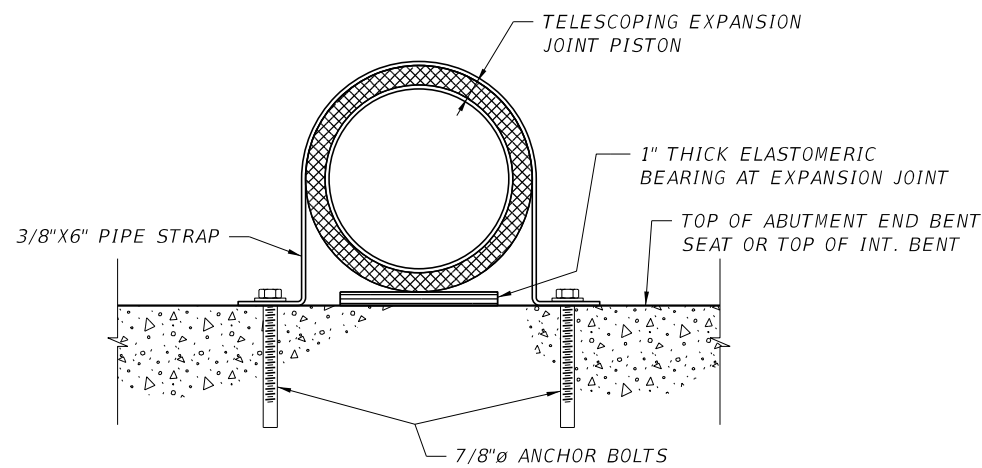


PIPE LAYOUT



EXPANSION JOINT ANCHORAGE

NOTES:

1. TELESCOPING EXPANSION JOINT PISTON SHAPE AND DIMENSIONS SHOWN ARE VENDOR SPECIFIC. CONTRACTOR SHALL ADJUST SPACING AS NECESSARY TO ACCOMMODATE ACTUAL PRODUCT USED.
2. SADDLE CAP SHOWN SHALL PROVIDE FOR CONNECTING AN 8"Ø DOWN PIPE WITH SCUPPER.
3. WITHIN THE PARAMETERS OF DIMENSION LENGTH "A":
 - + MAXIMUM HANGER SPACE = 8'-0"
 - + MINIMUM 2 HANGERS PER PIPE LENGTH
 - + NO PIPE JT. WITHIN 1'-0" OF HANGER

BRIDGE NO. 144069

REVISIONS					
DATE	BY	DESCRIPTION	DATE	BY	DESCRIPTION

Wendy G. Snow P.E. No. 81114
 NV5 Inc.
 1713 S. Kings Ave, Brandon, FL 33511
 Certificate of Authorization No. 29065

PASCO COUNTY, FLORIDA
 ROAD NO. COUNTY PROJECT NUMBER
 CR-524 C 6686.06

DRAINAGE PIPE LAYOUT
BRIDGE 5

SHEET NO. BC-52

THE OFFICIAL RECORD OF THIS SHEET IS THE ELECTRONIC FILE DIGITALLY SIGNED AND SEALED UNDER RULE 61G15-23.004, F.A.C.