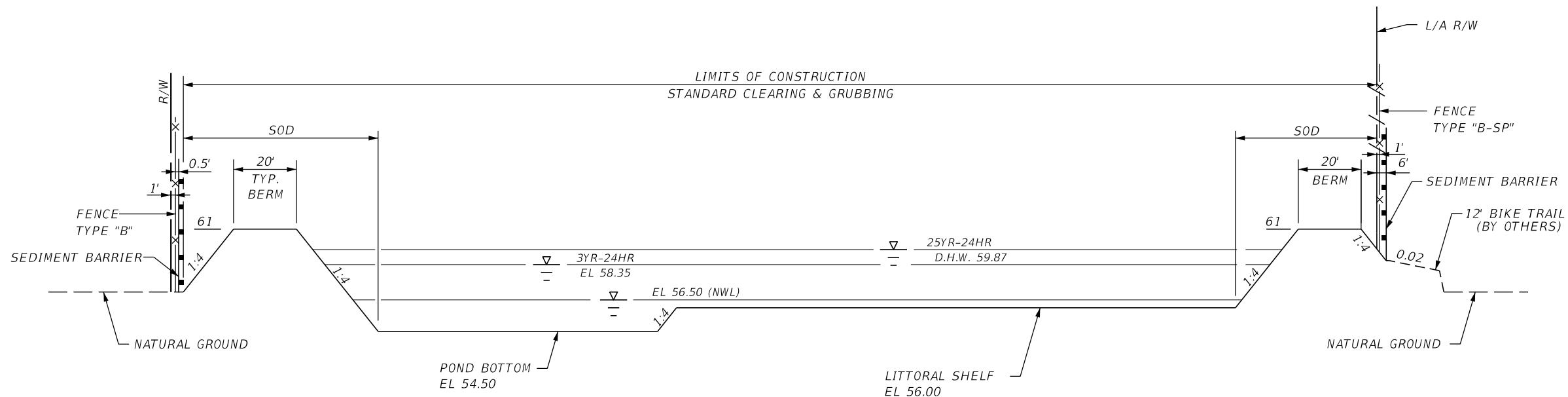


SECTION A-A  
NTS



SECTION B-B  
NTS

REVISIONS

DATE	BY	DESCRIPTION	DATE	BY	DESCRIPTION

Thomas J. Montgomery, PE No. 35008  
NV5 Inc.  
1713 S. Kings Ave, Brandon, FL 33511  
Certificate of Authorization No. 29065

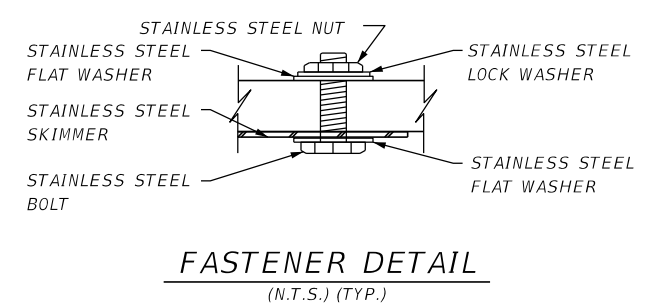
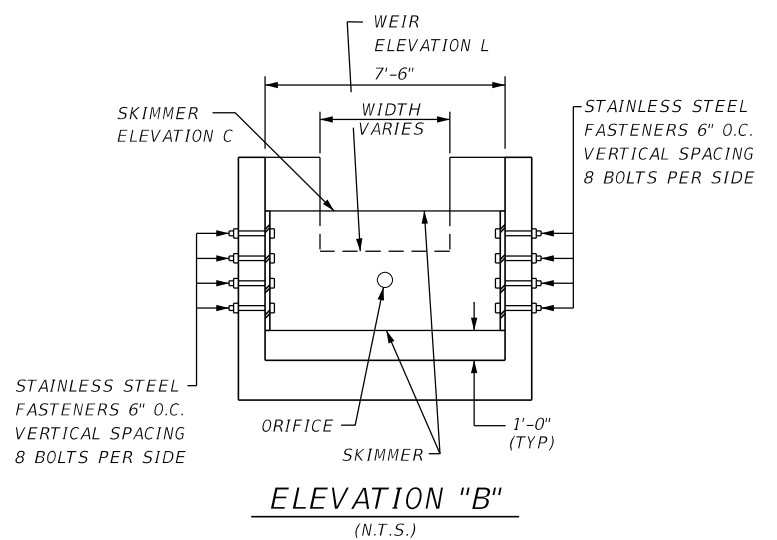
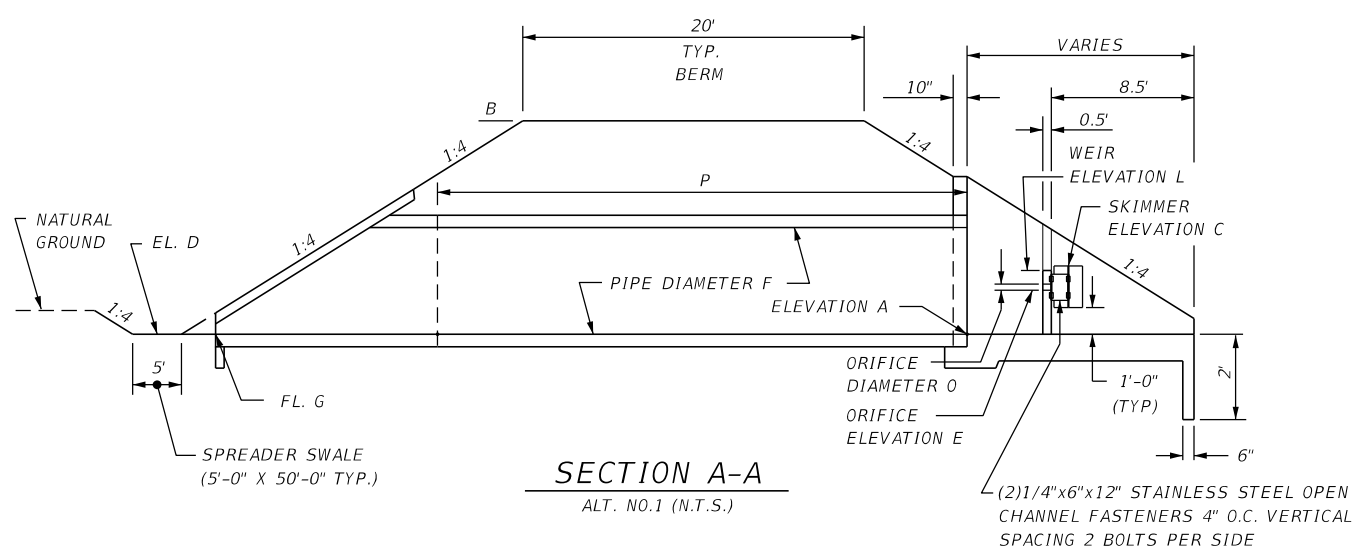
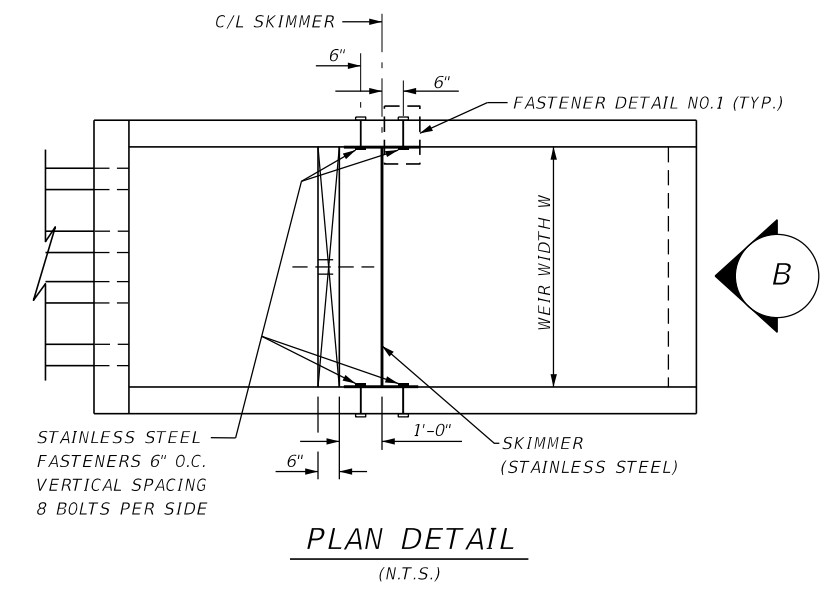
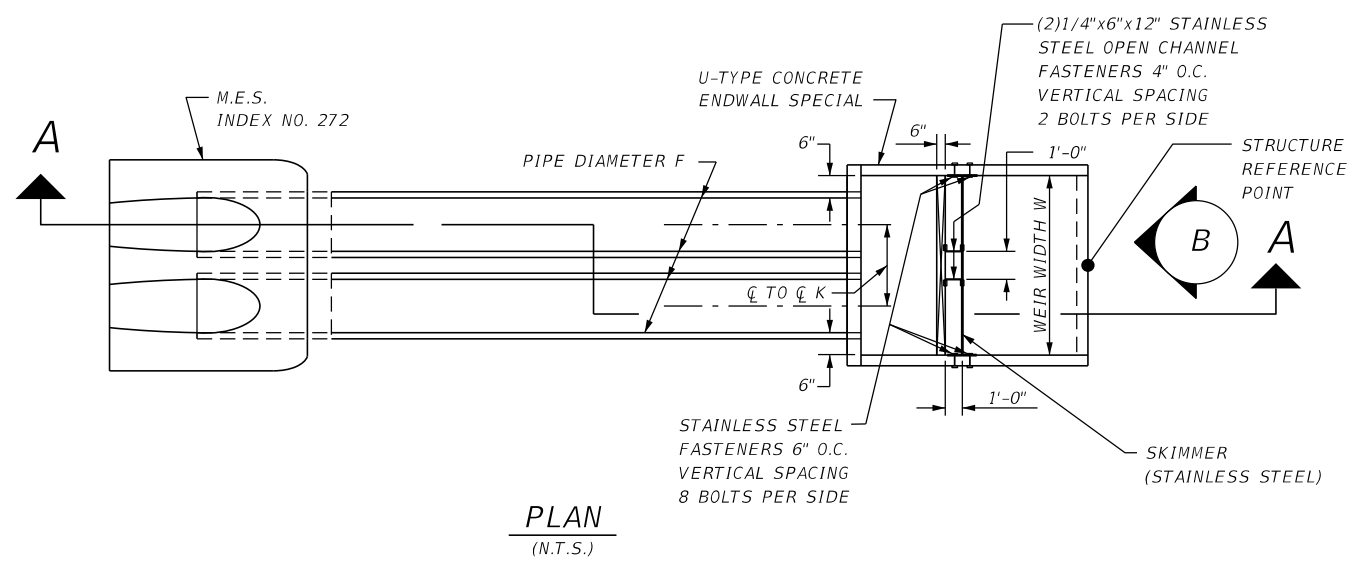
PASCO COUNTY, FLORIDA

ROAD NO. COUNTY PROJECT NUMBER  
CR-524 C 6686.06

STORMWATER POND DETAILS (20)  
POND 14 (2 OF 2)

SHEET NO. 280

THE OFFICIAL RECORD OF THIS SHEET IS THE ELECTRONIC FILE DIGITALLY SIGNED AND SEALED UNDER RULE 61G15-23.004, F.A.C.



TABULATION OF SPECIAL DRAINAGE STRUCTURES														
STRUC NO.	LOCATION FROM C/L CONSTRUCTION		A	B	C	D	O	E	F	G	K	L	W	P
	STA.	OFFSET	BOTTOM ELEV.	TOP ELEV.	SKIMMER ELEV.	DITCH ELEV.	ORIFICE DIA.	ORIFICE ELEV.	OUTFALL PIPE DIA.	OUTFALL PIPE FL.	℄ TO ℄ EL.	WEIR ELEV.	WEIR WIDTH	PIPE LENGTH
S-600	277+87.69	233.32 RT	55.00	61.00	58.33	54.75	3"	56.50	2-24"	54.75	41"	57.70	50"	42'

NOTE: USE FDOT STANDARD PLANS U-TYPE ENDWALL INDEX 430-011.

REVISIONS					
DATE	BY	DESCRIPTION	DATE	BY	DESCRIPTION

Thomas J Montgomery, PE No. 35008  
 NV5 Inc.  
 1713 S. Kings Ave, Brandon, FL 33511  
 Certificate of Authorization No. 29065

PASCO COUNTY, FLORIDA  
 ROAD NO. CR-524  
 COUNTY PROJECT NUMBER C 6686.06

**DISCHARGE STRUCTURE DETAIL**

SHEET NO. 280A

THE OFFICIAL RECORD OF THIS SHEET IS THE ELECTRONIC FILE DIGITALLY SIGNED AND SEALED UNDER RULE 61G15-23.005, F.A.C.